



Home Theater Scaler

USER MANUAL

www.gefen.com

ASKING FOR ASSISTANCE

Technical Support:

Telephone (818) 772-9100
(800) 545-6900

Fax (818) 772-9120

Technical Support Hours:

8:00 AM to 5:00 PM Monday thru Friday PST

Write To:

Gefen Inc.
C/O Customer Service
20600 Nordhoff St.
Chatsworth, CA 91311

www.gefen.com
support@gefen.com

Notice

Gefen Inc. reserves the right to make changes in the hardware, packaging and any accompanying documentation without prior written notice.

The Home Theater Scaler is a trademark of Gefen Inc.

TABLE OF CONTENTS

- 1** Introduction / Operation Notes
- 2** Features
- 3** Panel Layout
- 4** Operation Controls and Functions
- 5** Operation Controls and Functions
- 6** Operation Controls and Functions / Color Settings
- 7** Output Settings / OSD Adjustment / Information
- 8** Using the Home Theater Scaler
- 9** RMT-SR-IR Installation
- 10** Pin Configuration
- 11** Specifications
- 12** Terminology
- 13** Warranty

INTRODUCTION

Thank you for purchasing the Home Theater Scaler.

The Home Theater Scaler supports two component sources with analog audio and two HDMI sources with digital audio. The analog audio from the component input is digitized and outputted to the HDMI connection as well as the digital audio outs. The HDMI inputs also have separate digital audio inputs, so you can use DVI sources and separate digital audio. The Home Theater Scaler will embed the digital audio into the HDMI output as well as the digital audio outs.

The Gefen Home Theater Scaler allows you to upscale and switch your standard definition or high definition component sources to resolutions up to 1080p. Anything from set-top boxes, DVD players to the next generation of gaming consoles including the Xbox 360 and PS3 can be plugged into the Home Theater Scaler.

Note: The switching is done by using the RMT-SR-IR remote control. Any HDTV with DVI inputs can be connected to the HDMI output of the Home Theater Scaler by using a HDMI to DVI adapter, if the cable being used is DVI.

OPERATION NOTES

READ THESE NOTES BEFORE INSTALLING OR OPERATING THE HOME THEATER SCALER

- The Home Theater Scaler works with all DVI and HDMI displays.
- The Home Theater Scaler is fully HDCP compliant.
- The Home Theater Scaler has a 15-foot limit on how far it can transmit the HDCP (copyright protection) codes out of the HDMI output jack to the display. Connections to displays at distances longer than 15 feet should use a true HDCP-boosting (repeating) solution such as our CAT5-based HDMI signal extender devices (Gefen part number EXT-HDMI-CAT5X). A simple add-on booster attached to the HDMI output cable will not prevent signal loss.

FEATURES

Features

- Both digital and analog inputs are format converted and pixel re-scaled through the Home Scaler. It outputs a large range of formats and resolutions that will easily match the native resolution/ format of your display to ensure highest picture quality.
- DVI/HDCP/HDMI compliant input: Operates up to 165Mhz (Up to UXGA @60Hz)
- Supports digital HD output up to 1080p.
- Integrated 8-bit triple-ADC/PLL.
- Integrated DVI/HDCP/HDMI compliant receiver.
- Dual high quality scaling engines.
- Dual 3-D motion video adaptive de-interlacers with smooth low-angle edge.
- Automatic 3:2 pull-down & 2:2 pull-down detection and recovery.
- Operates through on-screen OSD menu control and remote control.

Includes:

- (1) Home Theater Scaler
- (1) 6 ft HDMI cable (M-M)
- (1) 5V Power Supply
- (1) IR Remote control
- (1) User's Manual



PANEL LAYOUT



OPERATION CONTROLS AND FUNCTIONS

The Home Theater Scaler accepts component and HDMI inputs with audio on each. The formats supported by these inputs are as follows:

| | | |
|-----------|-------|--|
| COMPONENT | YPbPr | 480p @ 50/60Hz 576p @ 50Hz 720p @ 50/60Hz 1080i @ 50/60Hz 1080p @ 50//60Hz |
| | YCbCr | 480i @ 60Hz 576i @ 50Hz |

| | | |
|-------------|---------|--|
| HDMI INPUT: | Digital | VGA @ (60/72/75/85)/SVGA @ (56/60/72/75/85) XGA @ (60/70/75/85) / SXGA @ (60/75/85) / UXGA @ 60/WXGA @ (1280x800) WSXGA @ 60(1680x1050) WUXGA @ 60(1920x1200)/1360x768 480i/p @ 50/60Hz 576i/p @ 50Hz 720p @ 50/60Hz 1080i @ 50/60Hz 1080p @ 50//60Hz |
|-------------|---------|--|

When connecting to a component source (either SD or HD resolution) use a 3RCA to 3RCA cable to connect the YPbPr or YCbCr output of a DVD or Set Top Box to the Y-Cb/Pb-Cr/Pr input connector of the Home Theater Scaler.

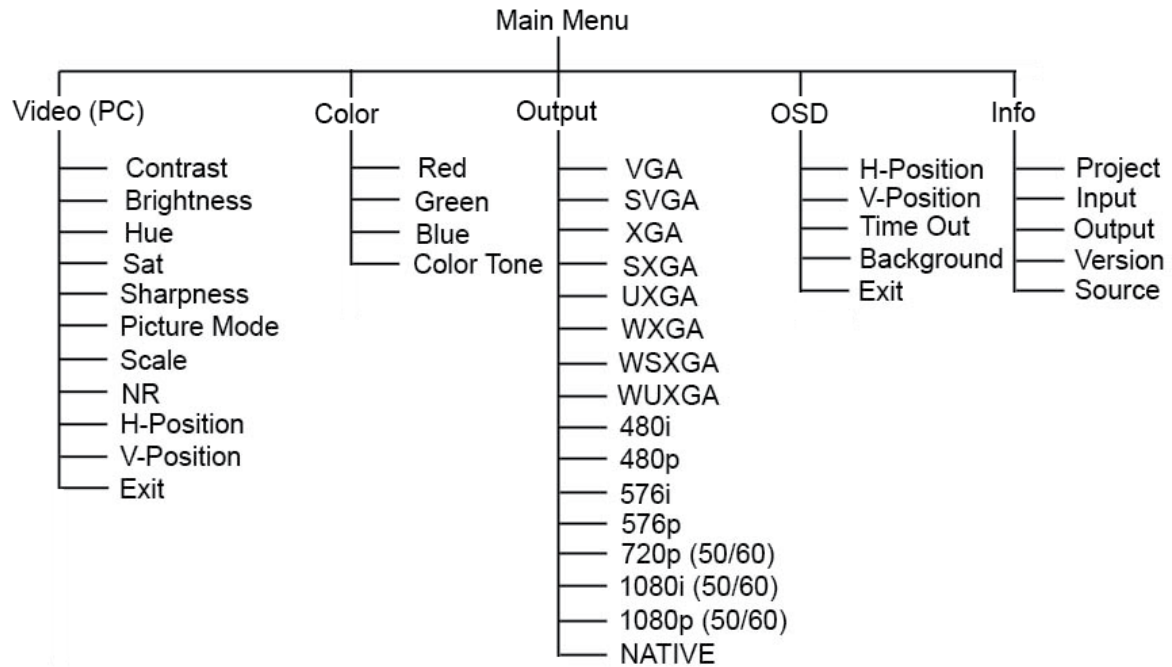
When connecting to a DVI source, use an DVI to HDMI cable (or adaptor) to connect the DVI output of a STB or DVD to the HDMI input connector of the Home Theater Scaler.

When connecting to a HDMI source, use an HDMI cable to connect the HDMI output of a STB or DVD to the HDMI input connector of the Home Theater Scaler.

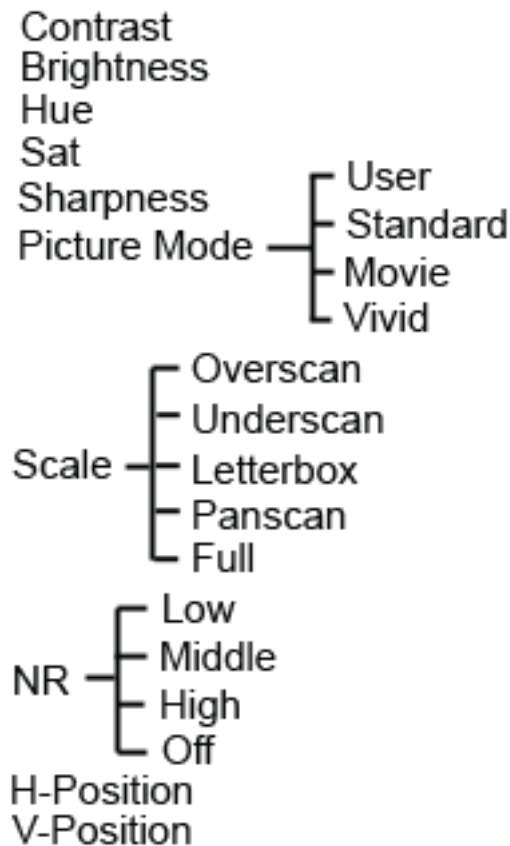
The Home Theater Scaler can automatically detect the input resolution of all four inputs.

OPERATION CONTROLS AND FUNCTIONS

After you power on the unit, press the menu button and it will bring up the main menu as follows:



Video (or PC): When Video is selected, a sub menu as shown below, will come up.



OPERATION CONTROLS AND FUNCTIONS

Picture mode: There are 4 picture modes for the user to choose from.

User: Select to adjust to your favorite setting and store it.

Standard: Standard factory default setting for optimal display in a normal environment.

Vivid: High saturation picture for optimal display in a bright room.

Movie: Picture for comfortable low brightness display in a dark room.

Scale: Select overscan when input source is SD or HD video to ensure no black band around screen border. Select underscan when input source is PC signal to ensure full picture content will fall within screen border.

Noise Reduction: This function only works when input is component, It will not work for HDMI input. There are four settings that will Noise Reduction-Off, Low, Middle, and High. The Noise Reduction will remove the noise that results from the analog to digital conversion and digital scaling process.

H & V position: To adjust for the best horizontal and vertical position of the picture in the screen.

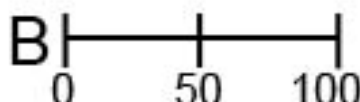
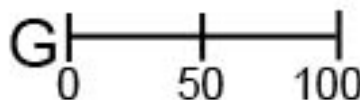
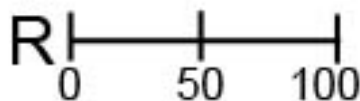
COLOR SETTINGS

User: Select to adjust to your favorite color temperature setting.

Normal: Normal color tone setting where white is pure white.

Warm: Warm color tone makes white a little reddish.

Cool: Cool color tone makes white a little bluish.



Value of normal setting

OUTPUT SETTINGS

Output: The Home Theater Scaler can output a wide variety of PC and HD resolutions as follows.

| DVI/HDMI (up to 165 mhz) | Resolution | i/p* | Format |
|--------------------------|------------|------|--------|
| 480i | 720x480 | i | RGBHV |
| 480p | 720x480 | p | RGBHV |
| 576i | 720x576 | i | RGBHV |
| 576p | 720x576 | p | RGBHV |
| 720p @ (50/60) | 1280x720 | p | RGBHV |
| 1080i @ (25/30) | 1920x1080 | i | RGBHV |
| 1080p @ (50/60) | 1920x1080 | p | RGBHV |
| VGA @ 60 | 640x480 | p | RGBHV |
| SVGA @ 60 | 800x600 | p | RGBHV |
| XGA @ 60 | 1024x768 | p | RGBHV |
| SXGA @ 60 | 1280x1024 | p | RGBHV |
| UXGA | 1600x1200 | p | RGBHV |
| WXGA @ 60 | 1280x800 | p | RGBHV |
| WSXGA @ 60 | 1680x1050 | p | RGBHV |
| WUXGA @ 60 | 1920x1200 | p | RGBHV |

* i: interlaced p; progressive

Native: When it is selected, the Home Theater Scaler will automatically adjust its output timing to match the native timing of the display.

OSD ADJUSTMENT

H. Position: Adjust the horizontal position of the OSD graphic.

V. Position: Adjust the vertical position of the OSD graphic.

Time out: Set a predetermined Time to turn off OSD menu on the screen.

Background: To select transparent or solid background of OSD graphic.

INFORMATION

Project: Show product model number.

Input: Show input resolution i.e. XGA.

Output: Show output resolution i.e. 720p.

Date: Show date of firmware version.

USING THE HOME THEATER SCALER

1. Connect all the sources to the HDMI and/or Component Inputs to the Home Theater Scaler.
2. Connect the HDMI/DVI displays to the DVI output, with the proper cable and/or adapter, on the Home Theater Scaler.
3. Connect the 5VDC power supply to the Home Theater Scaler.
4. Controlling the Home Theater Scaler using the RMT-SR-IR:

| By Pressing... | Does... |
|--------------------|---|
| input select | changes between sources |
| output select | changes between display outputs |
| power | power the scaler on/off |
| menu | bring up the on screen menu |
| exit | allows user to exit the on screen menu |
| up,down,left,right | allow user to navigate through menu |
| ok (enter) | allows user to confirm their selection |
| rest | press the button to reset the unit's firmware setting to the factory default value. |
| auto adjust | press the button to optimize the position of the picture (picture centering) on the screen. |

***Note for computers connected to the Home Theater Scaler** - When your computer boots up, it looks for an EDID (extended display identification data) from the display to tell it what monitor is connected and what resolution to output. During boot up of the computer you should have the DVI input selected so that the computer gets the EDID of the display that is selected.

This step can also be eliminated by using a DVI Detective.

RMT-SR-IR INSTALLATION

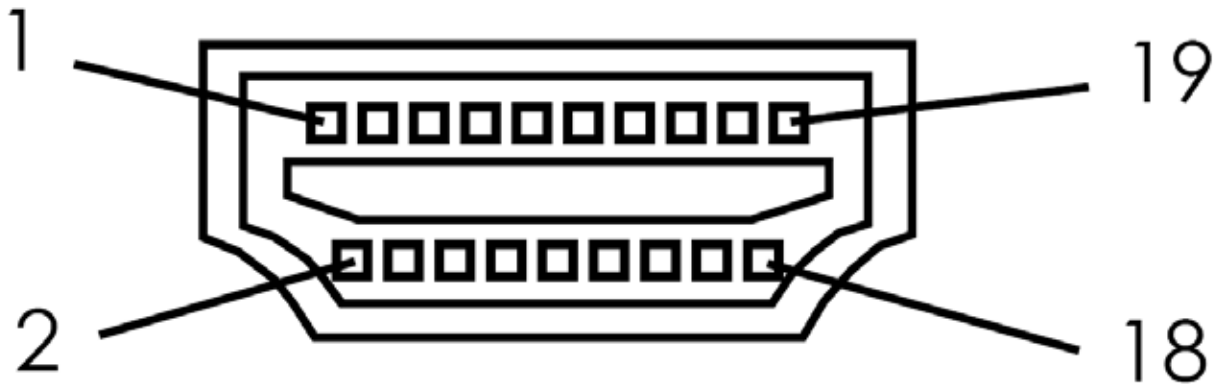
1. Remove battery cover from the back of the RMT-SR-IR remote.
2. Verify that dip switches 1 & 2 are in the down (OFF) position.
3. Insert the battery, hold the battery so that you can see the positive side facing up. The side that is not marked must be facing down.
4. Test the RMT-SR-IR remote by pressing ONLY one button at a time. The indicator light on the remote will flash once each time you press a button. **WARNING:** Do not press multiple buttons simultaneously and do NOT press buttons rapidly. These actions will cause the remote to reset and steps 1-4 will have to be repeated.

Note* The RMT-SR-IR ships with two batteries. One battery is required for operation, the second battery is complimentary.



PIN CONFIGURATION

HDMI Output Pin Assignment



| Pin # | Function Assignment | Pin # | Function Assignment |
|-------|---------------------|-------|---------------------------|
| 1 | TMDS Data2+ | 2 | TMDS Data2 Shield |
| 3 | TMDS Data2- | 4 | TMDS Data1+ |
| 5 | TMDS Data1 Shield | 6 | TMDS Data1- |
| 7 | TMDS Data0+ | 8 | TMDS Data0 Shield |
| 9 | TMDS Data0- | 10 | TMDS Clock+ |
| 11 | TMDS Clock Shield | 12 | TMDS Clock- |
| 13 | CEC | 14 | Reserved (N.C. on device) |
| 15 | SCL | 16 | SDA |
| 17 | DDC/CEC Ground | 18 | +5V Power |
| 19 | Hot Plug Detect | | |

SPECIFICATIONS

| | |
|--|------------------------------|
| Digital Video Amplifier Bandwidth..... | 1.65 Gbps |
| Component Video Bandwidth..... | 350 Mhz |
| Input DDC Signal..... | 5 volts p-p (TTL) |
| Input Video Signal..... | 1.2 volts p-p |
| Single Link Range..... | 1080p/1920 x 1200 |
| Input/Output HDMI Connector..... | type A 19 pin female |
| Component Video Connector..... | 3 RCA |
| Digital Audio Connector..... | Optical TOSlink + Coax SPDIF |
| Analog Audio Connector..... | 2 RCA |
| Power Supply..... | 5V DC |
| Power Consumption..... | 20 watts (max) |
| Dimensions..... | 6.875"W x 2.125"H x 6.875"D |
| Shipping Weight..... | 6 lbs. |

TERMINOLOGY

DDC

Short form for Display Data Channel. It is a VESA standard for communication between a monitor and a video adapter. Using DDC, a monitor can inform the video card about its properties, such as maximum resolution and color depth. The video card can then use this information to ensure that the user is presented with valid options for configuring the display.

DDWG

Digital Display Working Group DDWG are the creators of the DVI specification.

DVI

Digital Visual Interface. Connection standard developed by Intel for connecting computers to digital monitors such as flat panels and DLP projectors. A consumer electronics version, not necessarily compatible with the PC version, is used as a connection standard for HDTV tuners and displays. Transmits an uncompressed digital signal to the display. The latter version uses HDCP copy protection to prevent unauthorized copying.

HDCP

High-Bandwidth Digital Content Protection. Created by Intel, HDCP is used with HDTV signals over DVI and HDMI connections and on D-Theater D-VHS recordings to prevent unauthorized duplication of copy written material.

HDMI

The High-Definition Multi-media Interface (HDMI) is an industry-supported, uncompressed, all-digital audio/video interface. HDMI provides an interface between any compatible digital audio/video source, such as a set-top box, DVD player, and A/V receiver and a compatible digital audio and/or video monitor, such as a digital television (DTV).

HDTV

High-Definition Television. The high-resolution subset of our DTV system. The ATSC defines HDTV as a 16:9 image with twice the horizontal and vertical resolution of our existing system, accompanied by 5.1 channels of Dolby Digital audio. The CEA defines HDTV as an image with 720 progressive or 1080 interlaced active (top to bottom) scan lines. 1280:720p and 1920:1080i are typically accepted as high-definition scan rates.

RS-232

Recommended Standard 232. This is the de facto standard for communication through PC serial ports. It can refer to cables and ports that support the RS232 standard.

VESA

Video Electronic Standards Association, a consortium of manufacturers formed to establish and maintain industry wide standards for video cards and monitors. VESA was instrumental in the introduction of the Super VGA and Extended VGA video graphics standards with a refresh rate of 70 Hz, minimizing flicker and helping to reduce user eyestrain and fatigue.