

Gefen

®

2x1 DVI KVM Switcher

EXT-DVIKVM-241

User Manual



www.gefen.com

ASKING FOR ASSISTANCE

Technical Support:

Telephone (818) 772-9100
(800) 545-6900

Fax (818) 772-9120

Technical Support Hours:

8:00 AM to 5:00 PM (PST) Monday thru Friday Pacific Time

Write To:

Gefen, LLC
c/o Customer Service
20600 Nordhoff St
Chatsworth, CA 91311

www.gefen.com
support@gefen.com

Notice

Gefen, LLC reserves the right to make changes in the hardware, packaging, and any accompanying documentation without prior written notice.

2x1 DVI KVM Switcher is a trademark of Gefen, LLC

© 2012 Gefen, LLC. All rights reserved.
All trademarks are the property of their respective owners.

CONTENTS

- 1 Introduction
- 2 Features
- 3 Connect and Operating the 2X1 DVI KVM Switcher
- 4 Panel Descriptions
- 5 Specifications
- 6 Warranty

INTRODUCTION

Congratulations on your purchase of the Gefen 2x1 DVI KVM Switcher. Your complete satisfaction is very important to us.

Gefen

Gefen delivers innovative, progressive computer and electronics add-on solutions that harness integration, extension, distribution and conversion technologies. Gefen's reliable, plug-and-play products supplement cross-platform computer systems, professional audio/video environments and HDTV systems of all sizes with hard-working solutions that are easy to implement and simple to operate.

The Gefen 2x1 DVI KVM Switcher

The Gefen 2x1 DVI KVM Switcher easily and reliably switches between any combination of two DVI and USB 2.0 equipped computers (PC or Mac) - using only one keyboard, monitor, and a mouse. It saves space - there is no need to work on a desk crowded with double monitors, keyboards, and mouse devices. It saves time - there is no need to move from one monitor to another to access different computers. It also saves money - there is no need to purchase additional monitors, mouse devices, and keyboards. The 2x1 DVI KVM Switcher allows you to choose between a PC or Mac keyboard/video/mouse combination.

How It Works

Connect a single-link DVI display and USB 2.0 keyboard/mouse to the 2x1 DVI KVM Switcher's outputs. Connect both computers' DVI, USB, and audio ports to the Switcher's inputs using the supplied cables. Select the computer to control using the select button on the front panel. A contact closure remote control may also be used. The Switcher is compatible with both Macintosh and PC keyboards, mice, and monitors.

FEATURES

Features

- Switches easily between any two DVI computers with USB 2.0 and audio
- Maintains highest resolution single link video
- Saves time and increase your productivity
- Use either PC or Mac USB 2.0 keyboard/mouse
- Independent EQ adjustments that compensate
- Front panel switching
- Parallel remote port (RMT-2 not included)
- Supports resolutions up to 1080p, 2K, and 1920 x 1200 (Single-Link)
- Supports DDWG standards for DVI monitors

Includes:

- (1) 2x1 DVI KVM Switcher
- (2) 6 ft. Dual-Link DVI Cables
- (2) 6 ft. Min Stereo Cables
- (2) 6 ft. USB Cables (A-B)
- (1) 5V/2A DC Power Supply
- (1) AC Power Cord
- (1) Quick-Start Guide

How to Connect the 2x1 DVI KVM Switcher to your devices

(Please refer to the Panel Descriptions diagram on the next page as needed)

- 1- Connect the supplied cables from your first computer into the DVI In 1, USB In 1, and Audio In 1 connection in the back of the 2x1 DVI KVM Switcher.
- 2- Connect the supplied cables from your second computer into the DVI In 2, USB In 2, and Audio In 2 connection in the back of the 2x1 DVI KVM Switcher.
- 3- Connect the monitor to the DVI Out connection.
- 4- Connect your USB devices (e.g. keyboard, mouse) into the USB Out.
- 5- Connect your speakers to the Audio Out.
- 6- Plug the 5V DC power supply into the 2x1 DVI KVM Switcher.

How to Operate the 2x1 DVI KVM Switcher

- 1- Use the front panel push button to switch between sources, or use the optional RMT-2 wired remote control to remotely toggle between sources.

Operation Notes

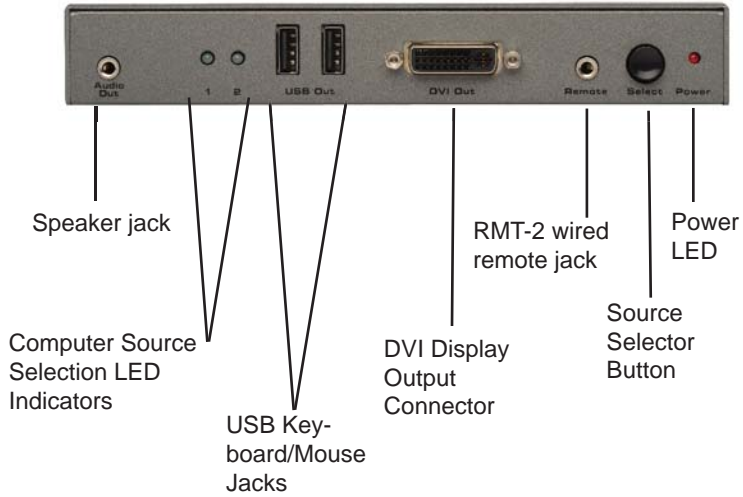
When turning on or rebooting your computers, the 2x1 DVI KVM Switcher must be selected to the computer that is booting until the computer completes the boot cycle. This step can be eliminated using the Gefen DVI Detective.

If you lose your picture when switching from source 1 to source 2 or vice-versa you will require a DVI Detective.

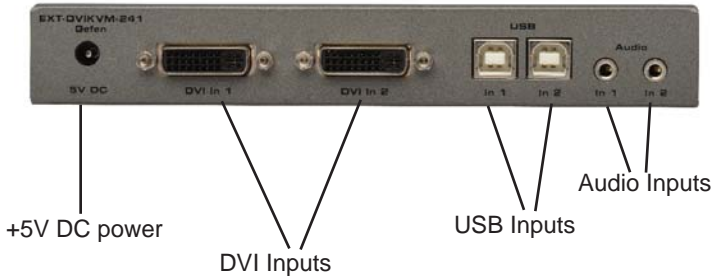
If you are experiencing USB dropouts try using the switcher just as a USB hub by only connecting the USB cables from your computers to the switcher. Connect your devices to the USB out portion of the switcher and connect your display to your computer directly. Start your computer up and try switching. If your USB devices do come up normally then you will need a DVI Detective to negotiate the video/USB signals for faster switching. If they do not come up normally, then you will need to call tech support.

PANEL DESCRIPTIONS

Front



Back



SPECIFICATIONS

Maximum Pixel Clock.....	165 MHz
Video Input Connectors.....	(2) DVI-I 29 pin, female (digital only)
Video Output Connector.....	(1) DVI-I 29 pin, female (digital only)
Audio Input Connectors.....	(2) 3.5 mm mini-stereo jack
Audio Output Connector.....	(1) 3.5 mm mini-stereo jack
USB Host Connectors.....	(2) USB Type B, female
USB Device Connectors.....	(2) USB Type A, female
IR Remote Connector.....	(1) 3.5mm mini-stereo jack
Power Supply.....	5V DC
Power Consumption.....	10W (max)
Dimensions (W x H x D).....	7.18" x 1.18" x 2.55" (182mm x 30mm x 65mm)
Shipping Weight.....	3 lbs. (1.4 kg)

WARRANTY

Gefen warrants the equipment it manufactures to be free from defects in material and workmanship.

If equipment fails because of such defects and Gefen is notified within two (2) years from the date of shipment, Gefen will, at its option, repair or replace the equipment, provided that the equipment has not been subjected to mechanical, electrical, or other abuse or modifications. Equipment that fails under conditions other than those covered will be repaired at the current price of parts and labor in effect at the time of repair. Such repairs are warranted for ninety (90) days from the day of reshipment to the Buyer.

This warranty is in lieu of all other warranties expressed or implied, including without limitation, any implied warranty or merchantability or fitness for any particular purpose, all of which are expressly disclaimed.

1. Proof of sale may be required in order to claim warranty.
2. Customers outside the US are responsible for shipping charges to and from Gefen.
3. Copper cables are limited to a 30 day warranty and cables must be in their original condition.

The information in this manual has been carefully checked and is believed to be accurate. However, Gefen assumes no responsibility for any inaccuracies that may be contained in this manual. In no event will Gefen be liable for direct, indirect, special, incidental, or consequential damages resulting from any defect or omission in this manual, even if advised of the possibility of such damages. The technical information contained herein regarding the features and specifications is subject to change without notice.

For the latest warranty coverage information, refer to the Warranty and Return Policy under the Support section of the Gefen Web site at www.gefen.com.

PRODUCT REGISTRATION

Please register your product online by visiting the Register Product page under the Support section of the Gefen Web site.

* ma - DVI KVM- 241 *

Rev A5

20600 Nordhoff St., Chatsworth CA 91311

1-800-545-6900 818-772-9100 fax: 818-772-9120

www.gefen.com support@gefen.com



This product uses UL listed power supplies.