

Gefen

DVI • 3000HD

EXT-DVI-3000HD

User Manual



www.gefen.com

ASKING FOR ASSISTANCE

Technical Support:

Telephone (818) 772-9100
(800) 545-6900

Fax (818) 772-9120

Technical Support Hours:

8:00 AM to 5:00 PM Monday thru Friday.

Write To:

Gefen Inc.
c/o Customer Service
20600 Nordhoff St
Chatsworth, CA 91311

www.gefen.com
support@gefen.com

Notice

Gefen Inc. reserves the right to make changes in the hardware, packaging and any accompanying documentation without prior written notice.

DVI • 3000HD is a trademark of Gefen Inc.

CONTENTS

1. **Introduction / Operation Notes**
2. **Features / Package Includes**
3. **Sender Panel Descriptions**
4. **Receiver Panel Descriptions**
5. **Connecting And Operating The DVI • 3000HD**
6. **Specifications**
7. **Warranty**

INTRODUCTION

Congratulations on your purchase of the DVI • 3000HD. Your complete satisfaction is very important to us.

Gefen

Gefen delivers innovative, progressive computer and electronics add-on solutions that harness integration, extension, distribution and conversion technologies. Gefen's reliable, plug-and-play products supplement cross-platform computer systems, professional audio/video environments and HDTV systems of all sizes with hard-working solutions that are easy to implement and simple to operate.

The Gefen DVI • 3000HD

The DVI • 3000HD KVM (keyboard, video, mouse) extender sends a DVI display, USB keyboard/mouse, and RS-232C up to 6.25 miles (10km) from your DVI source. It's designed using duplex SC single mode or multi mode fibers to support digital video plus USB 1.1 and RS-232C peripherals for ultra long range extensions.

How It Works

The DVI • 3000HD sender unit sits next to your computer. The cables supplied with the DVI • 3000HD connects your DVI source, USB, and RS-232C to the send unit. The DVI • 3000HD receiver unit sits next to your DVI display - up to 6.25 miles (10km) away. The display and USB plug into the back of the DVI • 3000HD receiver unit. Duplex SC single mode or multi mode fiber cables connect the DVI • 3000HD-S and the DVI • 3000HD-R units to each other.

OPERATION NOTES

READ THESE NOTES BEFORE INSTALLING OR OPERATING THE DVI • 3000HD

- The DVI • 3000HD units are housed in a metal box for better RF shielding.
- The DVI • 3000HD uses single/multi-mode SC-SC fiber optics to connect between the sender and receiver.
- The DVI • 3000HD is not HDCP compliant
- The DVI • 3000HD is USB 1.1 compliant

FEATURES

Features

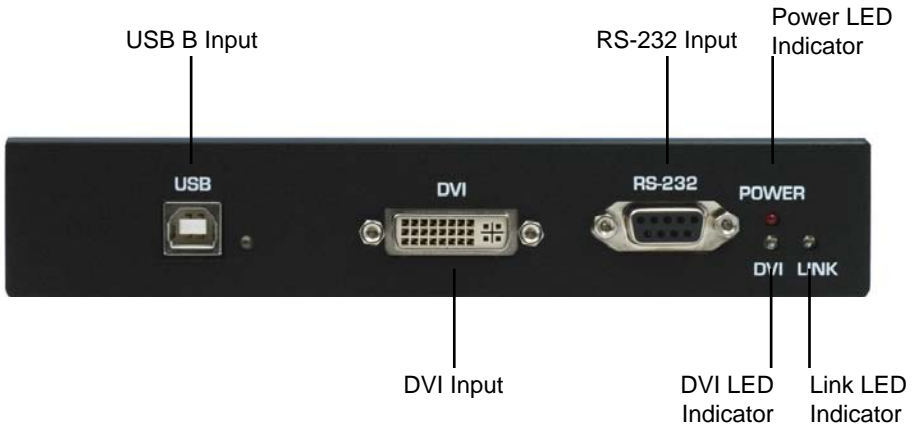
- Extension lengths up to 6.25 miles (10km) can be achieved
- Extends any DVI compliant display
- Extends USB 1.1 compliant devices
- Extends RS-232C devices
- Eliminates computer noise where you work
- Uses duplex SC single mode or multi mode fiber cables
- Supports VESA Standard resolutions up to 1280x1024 at 24 bit color 60Hz
- Supports DDWG standard for DVI compliant monitors
- Video is transmitted digitally for zero signal loss

Package Includes

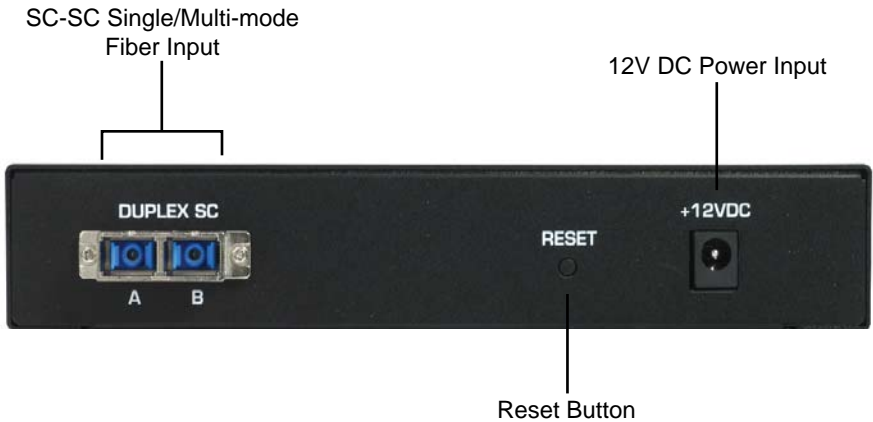
- (1) DVI • 3000hd Sender Unit
- (1) DVI • 3000hd Receiver Unit
- (2) 12V DC Power Supplies
- (2) 6 foot DVI Cable (M-M)
- (1) 6 foot USB Cable (A-B)
- (1) User Manual

SENDER PANEL DESCRIPTIONS

Front Panel

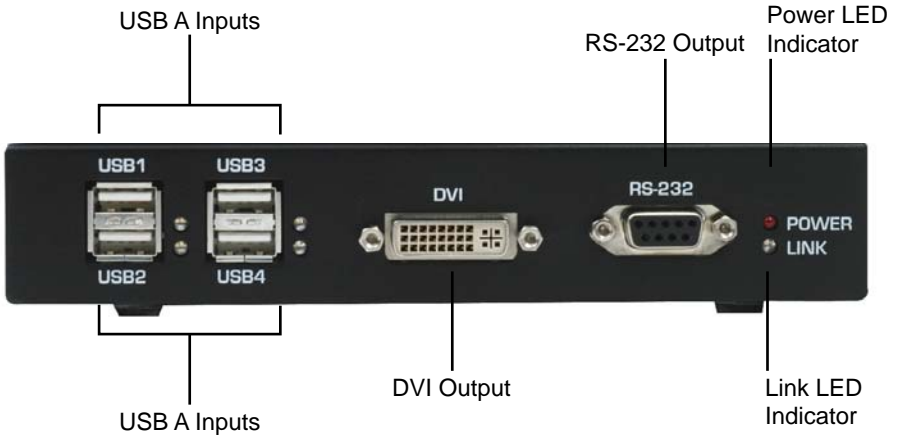


Back Panel

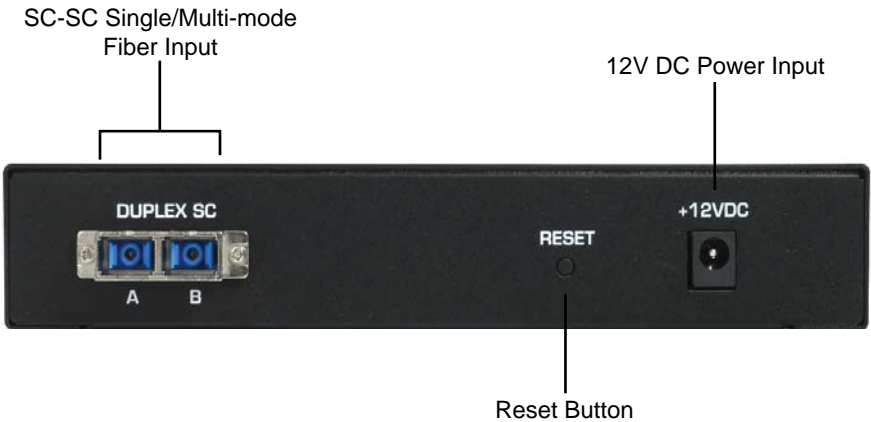


RECEIVER PANEL DESCRIPTIONS

Front Panel



Back Panel



CONNECTING AND OPERATING THE DVI • 3000HD

How to Connect the DVI • 3000HD

1. Connect the DVI source to the DVI • 3000HD sending unit's DVI input using the supplied DVI cable.
2. Connect the computer's USB to the DVI • 3000HD sending unit's USB input using the supplied USB A to B cable.
3. Connect the computer's RS-232 serial port to the DVI • 3000HD sending unit's RS-232 input using a user supplied RS-232 serial cable.
4. Connect the display to the DVI • 3000HD receiving unit's DVI output using a user supplied DVI cable.
5. Connect USB peripherals to the DVI • 3000HD receiving unit's USB inputs using user/device supplied USB cables.
6. Connect the RS-232 peripheral to the DVI • 3000HD receiving unit's RS-232 output using a user supplied RS-232 cable.
7. Connect the DVI • 3000HD sending and receiving unit's together using user supplied single/multi-mode SC-SC terminated fiber optic cable.
8. Plug one of the supplied 12V DC power supplies into the DVI • 3000HD sending and receiving units.
9. Power on the display first, and the source second.

NOTE: Once the cable connections have been made the power LED indicator on both sending and receiving units should be active. The link light will also be active once a solid connection is detected between the sending and receiving units.

SPECIFICATIONS

Video Amplifier Bandwidth	1.20 Gbps
Input Video Signal	1.2 Volts p-p
Input DDC Signal	5 Volts p-p (TTL)
Single Link Range	1280x1024
DVI Connector	DVI-D (19 pin) Female
USB Input	USB Type "B" Connector
USB Output	Two USB Type "A" Connectors
Link Connector	SC
Power Supply	12V DC
Power Consumption per unit	36 Watts (max)
Dimensions	8.4"W x 1.75"H x 4.4"D
Shipping Weight	7 lbs.