

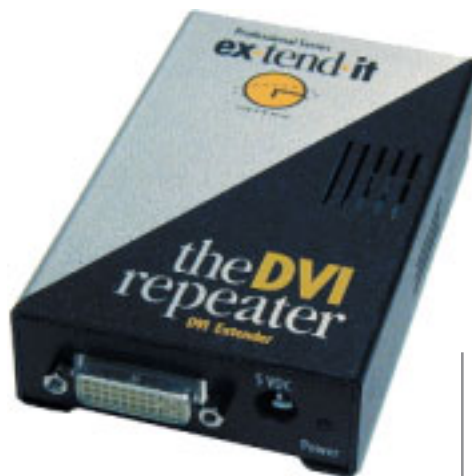
# the DVI repeater

DVI Extender

Doubles the length of any DVI cable.

**Features:**

- Extends computers with DVI graphics card (AGP or PCI bus) to DVI compatible monitors or projectors
- Extends any DVI compliant device up to 150 feet from the computer
- Maintains highest DVI single link video resolution
- Supports Apple flat panel displays
- Supports DDWG standard for DVI compliant monitors
- Installs in seconds
- DVI cables are used to connect the computer to the DVI input and the DVI repeater output to the flat panel display

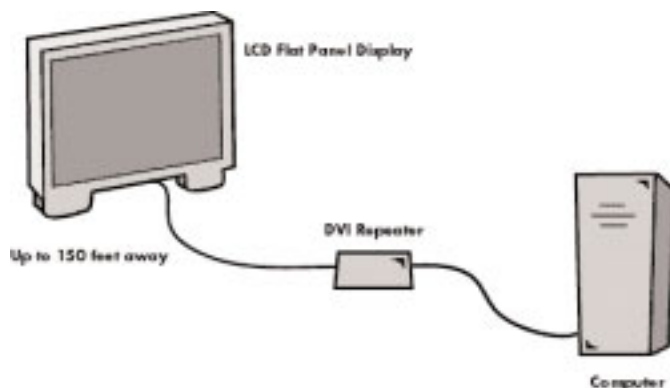


The ex-tend-it DVI Repeater doubles the length of any DVI cable. It extends the distance between computers equipped with DVI graphic cards and DVI monitors or projectors.

The DVI Repeater enables you to relocate your computer to a safe, quiet and clutter-free environment.

**How it works**

Place your digital flat panel display as far as you need it to go by using DVI cables to and from the DVI Repeater. The ex-tend-it DVI Repeater is connected with a DVI (male to male) cable from the computer DVI graphic port to the DVI Repeater input. The DVI Repeater output uses a second DVI (male to male) cable to go from the output to any flat panel display with a DVI connector.



When used with the ex-tend-it DVI to ADC Conversion Box, any Apple flat panel display can be connected and extended as well.

**Includes**

1. the DVI Repeater
2. 6 foot DVI cable (m-m)
3. 5 VDC power supply



**Specifications:**

- DVI Amplifier Bandwidth:** 1.65 GHz
- Actual Bandwidth:** 1.6 GHz
- Input Video Signal:** 1.2 volts p-p
- Input DDC Signal:** 5 volts p-p (TTL)
- DVI Connector:** Molex 24 pin female
- Power Consumption:** 15 Watts (max.)
- Power Supply:** External 5 DC
- Dimensions:** 2.75"W x 1"H x 4.5"D
- Shipping Weight:** 5 lbs.